



INSTRUCTION BULLETIN

No. 9006042
Machine: S20
Published: 07-2010
Rev. 00

NOTE: DO NOT DISCARD the Parts List from the Instruction Bulletin. Place the Parts List in the appropriate place in the machine manual for future reference. Retaining the Parts List will make it easier to reorder individual parts and will save the cost of ordering an entire kit.

NOTE: Numbers in parenthesis () are reference numbers for parts listed in Bill of Materials.

Installation instructions for **kit number 9006025**

SYNOPSIS:

This kit contains the parts needed to install a fire extinguisher kit onto S20 machines.
Please follow step-by-step instructions.

SPECIAL TOOLS / CONSIDERATIONS: NONE

(Estimated time to complete: 10 minutes)

PREPARATION:

1. Park the machine on a clean level surface, turn off the machine, remove the key, and set the parking brake.

FOR SAFETY: Before leaving or servicing machine, stop on level surface, turn off machine, and remove key.

INSTALLATION:

1. Use the fire extinguisher mounting plate (2) as a template and drill eight 0.125" holes into the main cover. Refer to Fig. 1 for an approximate location for the mounting plate.
2. Use six pan screws (3) to install the fire extinguisher mounting plate (1) on to the main cover. Refer to Fig. 1.
3. Remove the bracket from the fire extinguisher (1). Refer to Fig. 1.
4. Use two pan screws (4) to install the fire extinguisher bracket on to the fire extinguisher mounting plate (2) / main cover. Refer to Fig. 1.
5. Place the fire extinguisher (1) into the fire extinguisher bracket and secure the extinguisher in the bracket. Refer to Fig. 1.

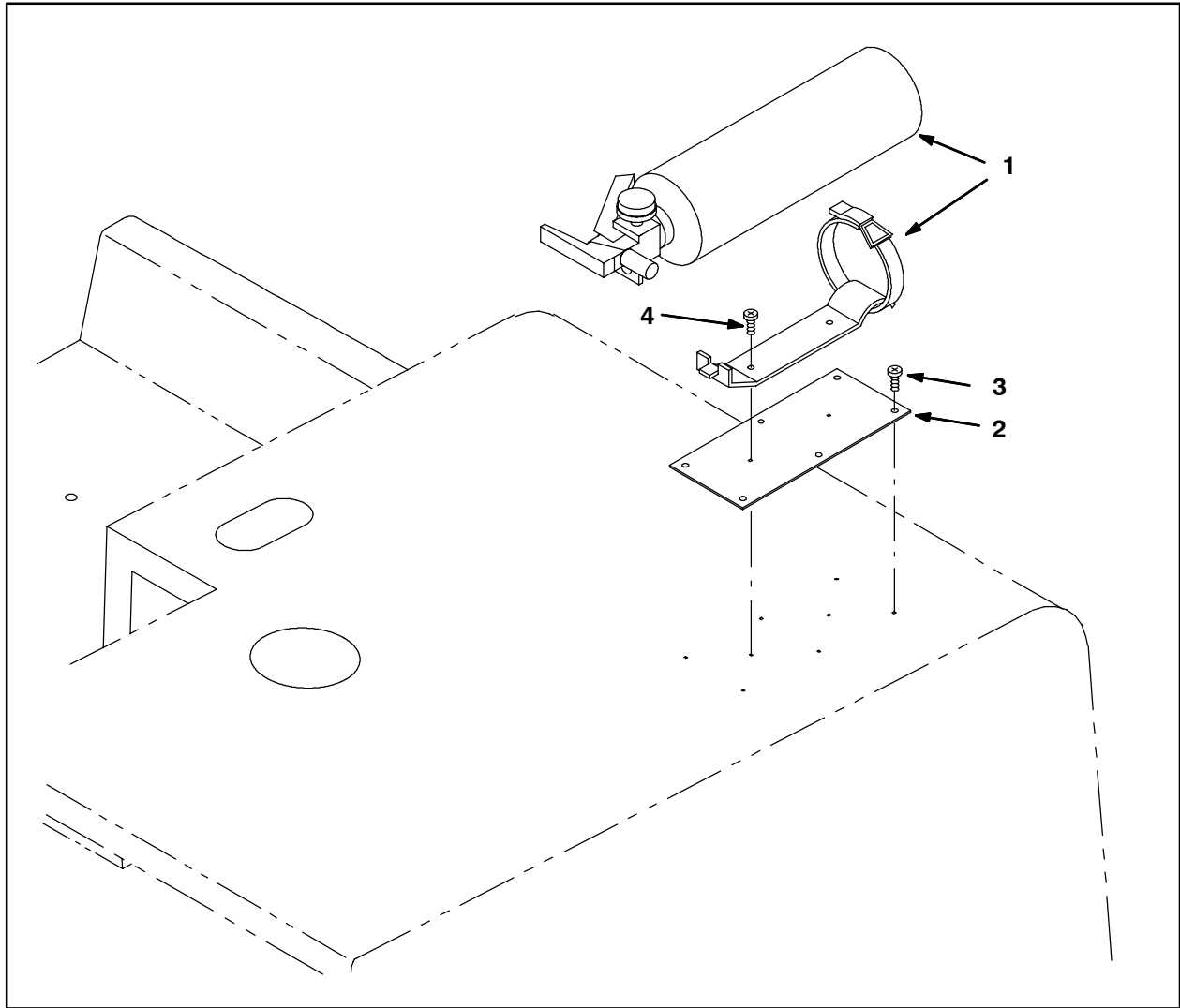


FIG. 1

Bill of Materials for Extinguisher Kit, Fire, CI [S20] - 9006025

Ref.	Tennant Part No.	Description	Qty.
▽	9006025	Extinguisher Kit, Fire, CI [S20]	1
▲	1 25312	Extinguisher, Fire, 2.5 LB Dry	1
▲	2 1052806	Plate, Mtg, Fire Extinguisher	1
▲	3 360973	Screw, Pan, 12-16 X 0.50, F/ Plstc	6
▲	4 02863	Screw, Pan, Phl, 10-16 X 0.75, Fmg/AB	2

TENNANT COMPANY
P. O. Box 1452
Minneapolis, MN 55440-1452